

Galintel® Cavi-T-Bar™

Steel Lintel for Cavity Walls



GALINTEL® CAVI-T-BAR™ LINTEL

The Galintel® Cavi-T-Bar™ lintel is the ideal solution for cavity walls, either double brick, or brick veneer with timber trusses.

The Cavi-T-Bar™ was developed in response to demand from builders for an economical substitute for built-up steel sections such as parallel flange channel and plate.

Similar to a T-bar but with a special top flange incorporated into the upright section, the Galintel® Cavi-T-Bar™ provides an off-the shelf solution for cavity walls, hot-dip galvanised, fully engineered and university tested.

Available from accredited Galintel® distributors, the Cavi-T-Bar™ is a convenient alternative to custom-made lintels such as PFC and flat plate beams, which have to be fabricated and galvanised.

As with all quality Galintel® products, the Cavi-T-Bar™ lintel is provided with a full product warranty and safe load tables.

The Galintel® brand is your guarantee of quality, performance and code compliance. For full technical details, phone 1800 065 634 or email bi@nepean.com

The quick, economical solution for cavity walls

- > Vertical leg pre-drilled & galvanised for column connection
- > Up to 25% lighter than built-up steel sections
- > Top flange for added strength
- > Fully hot-dip galvanised (600 g/m²)
- > Standard range of lengths
- > Non-standard lengths available to order
- > Engineered and university tested
- > Convenient 'off the shelf' solution
- > Fully warranted
- > R3 durability rated

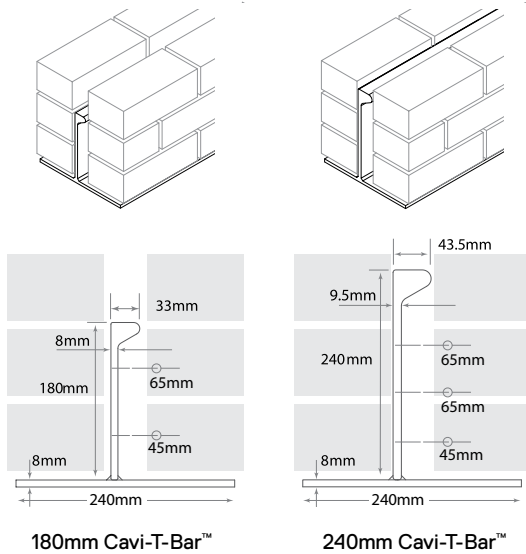
*Registered design



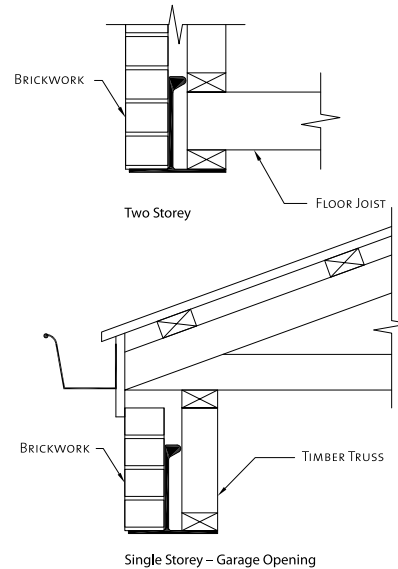
NEPEAN
Building &
Infrastructure

Cavi-T-Bar™ Applications

Cavity Brick Applications



Brick Veneer Applications



Galintel® Cavi-T-Bar™ Safe Load Tables

Vertical Leg 180 x 8 Platform Leg 240 x 8 Mass 31kg/m (Hot Dip Galvanized Finish)

Span (mm)	2400	2700	3000	3300	3600	3900	4200	4500	4800	5100	5400	5700	6000
Bar Length (mm)	2700	3000	3300	3600	3900	4200	4500	4800	5100	5400	5700	6000	6300
UDL (kg/m)	2800	2200	1760	1385	1080	840	695	550	460	390	310	285	245
Point Load (kg)	3570	3130	2770	2480	2230	2010	1815	1625	1445	1290	1135	1040	940

Vertical Leg 240 x 9.5 Platform Leg 240 x 8 Mass 41kg/m (Hot Dip Galvanized Finish)

Span (mm)	2400	2700	3000	3300	3600	3900	4200	4500	4800	5100	5400	5700	6000
Bar Length (mm)	2700	3000	3300	3600	3900	4200	4500	4800	5100	5400	5700	6000	6300
UDL (kg/m)	5680	4590	3520	2850	2340	1950	1675	1400	1150	990	820	715	615
Point Load (kg)	7250	6310	5550	4920	4400	4005	3650	3300	2975	2720	2475	2300	2130

Loads limited by deflection of 1/500 span.

Notes on Safe Load Tables for Cavi-T-Bars™

These load tables assume:

- > The web of the Cavi-T-Bar™ is vertical.
- > The Cavi-T-Bar™ is simply supported at both ends.
- > The Cavi-T-Bar™ is loaded such that the load acts vertically and equally on both sides of the web.
- > The Cavi-T-Bar™ is considered as being laterally unrestrained for the full span length.
- > UDL loads are constant along the length of the bar.
- > Point loads act at mid-span.
- > 150mm minimum bearing support on to brickwork.
- > Hot-dip galvanising to AS/NZS4680:2006.
- > Loads are in accordance with AS/NZS1170.1:2002.

Information contained in this brochure is supplied in good faith and with a view to help the user in the correct installation of this product. While every care is taken to ensure the information is correct, no warranty is made nor is any condition expressed or implied. The information contained herein does not constitute an offer nor do we guarantee its accuracy or completeness and assume no responsibility for errors or omissions or for any consequences of reliance on this publication. © NEPEAN, July 2013

For more information please contact:

HEAD OFFICE

117-153 Rookwood Road
(PO Box 57)
Yagoona, NSW, 2199, Australia
P: + 61 2 9707 5000
F: + 61 2 9790 6145
E: bi@nepean.com

BRANCHES

NSW (COFFS HARBOUR)
47 Wingara Drive
(PO Box 396)
Coffs Harbour, NSW, 2450,
Australia
P: + 61 2 6652 4100
F: + 61 2 6652 2285
E: coffs.bi@nepean.com

QLD
967 Nudgee Road
(PO Box 283)
Banyo, QLD, 4014, Australia
P: + 61 7 3633 1333
F: + 61 7 3633 1313
E: qld.bi@nepean.com

WA
98 Campbell Street
Belmont, WA, 6104, Australia
(PO Box 267,
Cloverdale WA 6985)
P: + 61 8 9478 1034
F: + 61 8 9277 7742
E: wa.bi@nepean.com

VIC
171 Derrimut Drive
Derrimut, VIC, 3030, Australia
P: + 61 3 9394 1001
F: + 61 3 9394 1441
E: vic.bi@nepean.com